

Engineering Drawing Sample Question Paper

Total Marks-30

Time- 1hr 30min

Q1. Attempt any one

5

- a. A circle of 50 mm diameter rolls along a straight line without slipping, draw the curve traced by a point 'P' on the circumference of the circle for one complete revolution. Name the curve also draw normal and tangent at any point on the curve.
- b. Line AB 70 mm long is inclined at 30° to the HP and 60° to the VP. Its end A is 10 mm above HP and 20 mm in front of the VP, while it's End B is in third quadrant. Draw the projections of the line AB.

Q2. Attempt any one

15

- a. Figure 1, shows pictorial view of an object Draw
 - i) Sectional Front view Section A-A.
 - ii) Top view.
 - iii) Left side view.

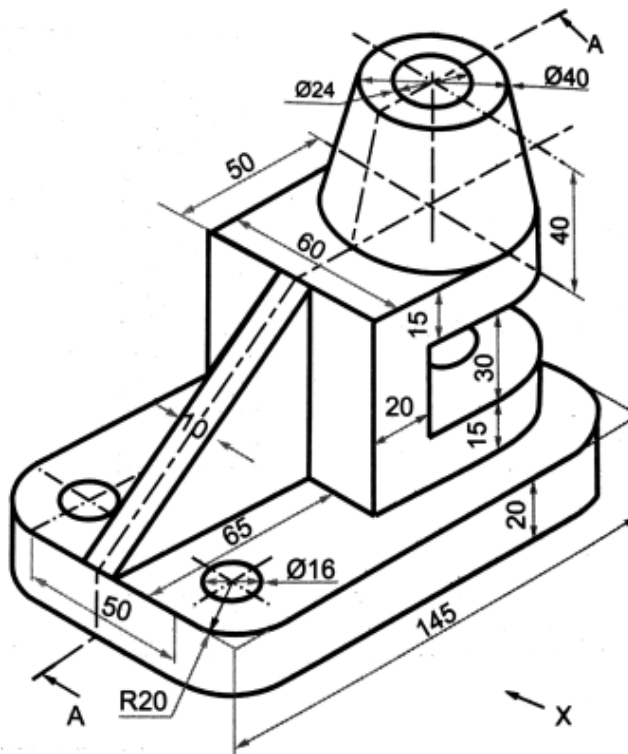


Figure 1

- b. A cone, base 50 mm diameter and axis 60 mm long rests on its circular rim on the HP with its axis making an angle 30° with the HP and its top view making 45° with the VP. Draw the projections if the apex is nearer to the observer.

Q3. Attempt any one

10

- a. Draw the projection of Pentagonal Prism, base 25 mm side and axis 50 mm long, resting on one of its rectangular faces on the HP, with axis inclined at 45° with the VP.

- b. Figure 2 shows FV and TV Draw Isometric view.

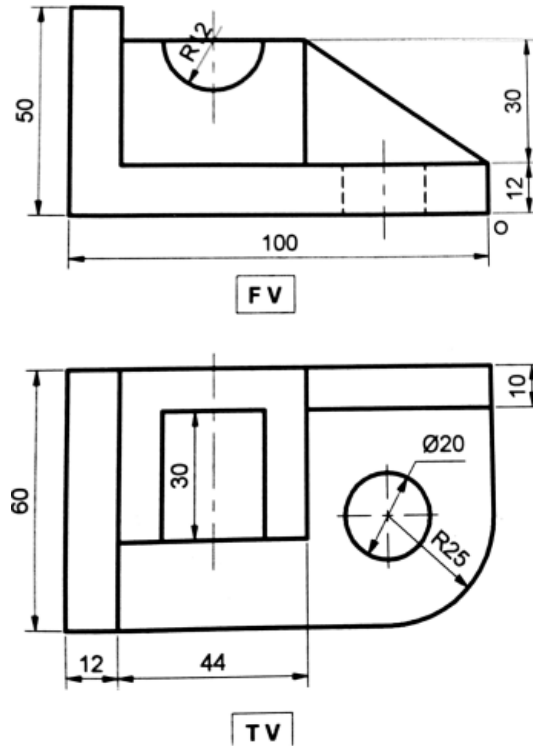


Figure 2

Note-

10 to 15 minutes for uploading the scanned copy of answer paper.